

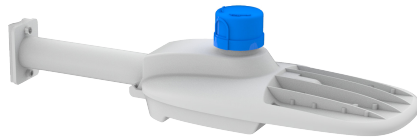
STL2

TECHNICAL SPECIFICATIONS:

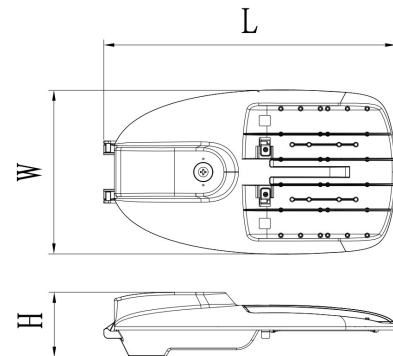
- :: Die-cast aluminum with powder coat finish (Light Grey)
- :: Lens Type: Optical TYPE III Lens, High light transmittance PC, anti-UV and flame resistant
- :: Voltage: 120-277V; 60Hz AC & 480V
- :: With NEMA twist-lock photocell socket (shorting cap incl.)
- :: Cord type: 40" SJTW 18/3 AWG cable
- :: With 2-15/16" diameter pole entry with adapter bracket inside for smaller pole diameters
- :: Driver located in isolated compartment for improved thermal management
- :: CRI: >70
- :: 50,000 hour rated life
- :: 7-year warranty
- :: Suitable for Wet Locations, IP65



Shown with photocell
(Not Included)



STL2-WMA



LED STREET/ROADWAY LIGHTS WITH NEMA TWIST-LOCK PHOTOCELL SOCKET

CATALOG NO.	WATTS	LUMENS	COLOR TEMP	VOLTAGE	DIMENSIONS
STL2-30W-50K	30W	3900LM	5000K	120-277	14.5"(L) x 6.8"(W) x 3.15"(H)
STL2-50W-50K	50W	6500LM	5000K	120-277	14.5"(L) x 6.8"(W) x 3.15"(H)
STL2-100W-50K	100W	13500LM	5000K	120-277	18.19"(L) x 9"(W) x 4.5"(H)
STL2-150W-50K	150W	21000LM	5000K	120-277	21.85"(L) x 12.3"(W) x 4.85"(H)
STL2-200W-50K	200W	27000LM	5000K	120-277	21.85"(L) x 12.3"(W) x 4.85"(H)
STL2-90W-50K-480V	90W	13500LM	5000K	277-480	18.19"(L) x 9"(W) x 4.5"(H)
STL2-150W-50K-480V	150W	21000LM	5000K	277-480	21.85"(L) x 12.3"(W) x 4.85"(H)
STL2-200W-50K-480V	200W	27000LM	5000K	277-480	21.85"(L) x 12.3"(W) x 4.85"(H)
STL2-WMA	15-3/4" Long arm with wall/pole mounting bracket				